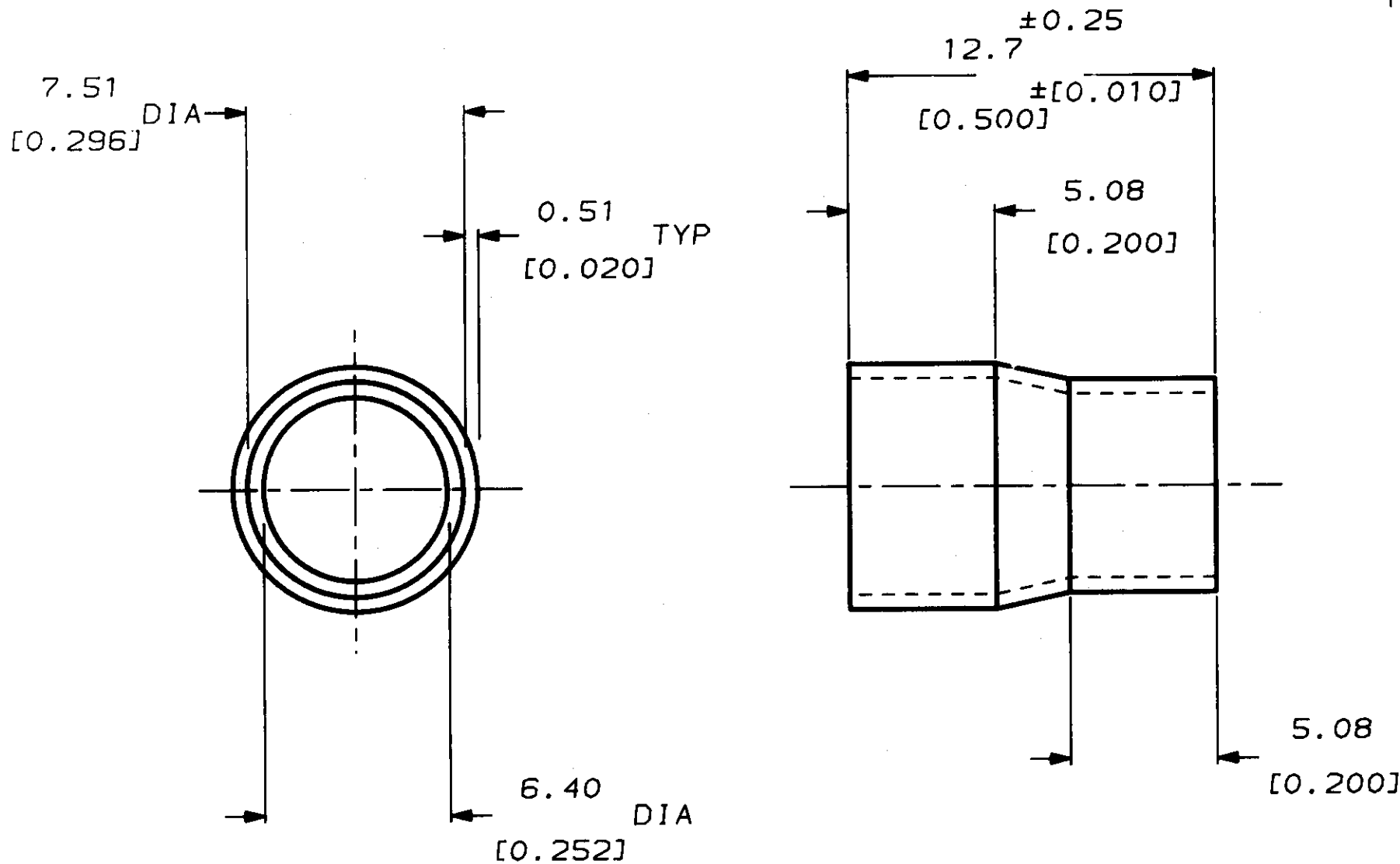


THIS DRAWING IS UNPUBLISHED. RELEASED FOR PUBLICATION ,19

© COPYRIGHT 19 BY AMP INCORPORATED, HARRISBURG, PA. ALL INTERNATIONAL RIGHTS RESERVED. AMP PRODUCTS MAY BE COVERED BY U.S. AND FOREIGN PATENTS AND/OR PATENTS PENDING.

REVISIONS						
P	F	ZONE	LTR	DESCRIPTION	DATE	APPROVED
			A	REVISED PER AF0305	4/23/84	CS
			B	REVISED PER AF0372	7/22/84	SS
1	✓		C	RELEASED PER P.A.R.	8/28/84	SS
			D	REV PER AF 4-4	12/8/84	dr



- 1 DIMENSIONS IN BRACKETS ARE IN INCHES
- 2 INSULATION RANGE: 6.25-5.13 [0.246-0.202]

520437-1

PART NO

UNLESS OTHERWISE SPECIFIED DIMENSIONS ARE IN DECIMALS INCHES. TOLERANCES ON: DECIMALS ± 0.00 [0.013] ANGLES ±	CONTRACT NO		AMP AMP INCORPORATED Harrisburg, Pa.	
	DR	<i>J. Schaff</i> 4/2/84		
	MATERIAL	CHK	NAME SDL FERRULE STYLE B (8 POSITION)	
	COPPER	<i>G. Yelton</i> 4/12/84		
FINISH	APPD	SIZE	FSCM NO	DRAWING NO
BRIGHT TIN	<i>Jim Poutin</i> 1/8/84	B	00779	520437
	APPD	SCALE	SHEET	
	<i>C. Rohde</i> 8-30-84			
	DSGN APPD			
	OTHER APPD			